

# BRISTOL BEACH

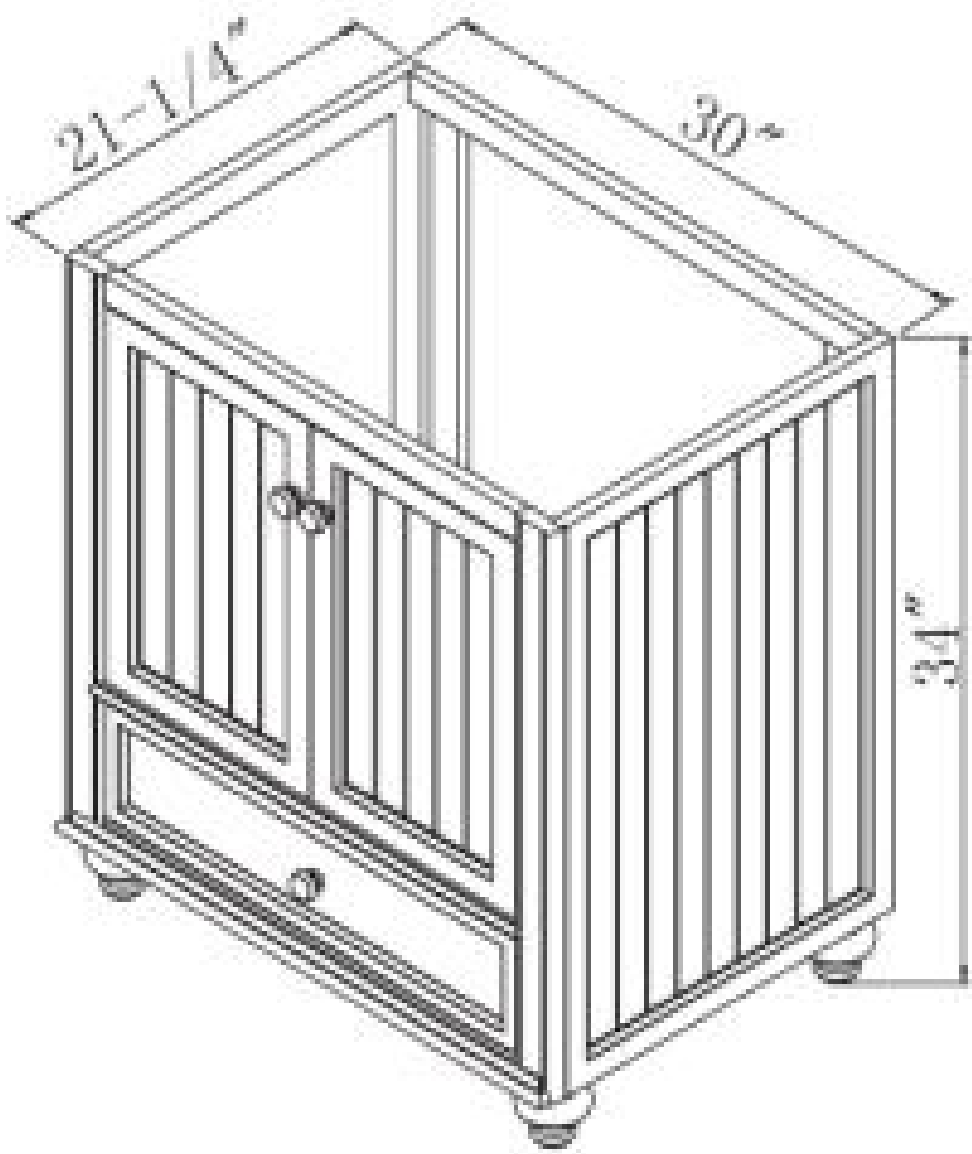


# BRISTOL BEACH Collection

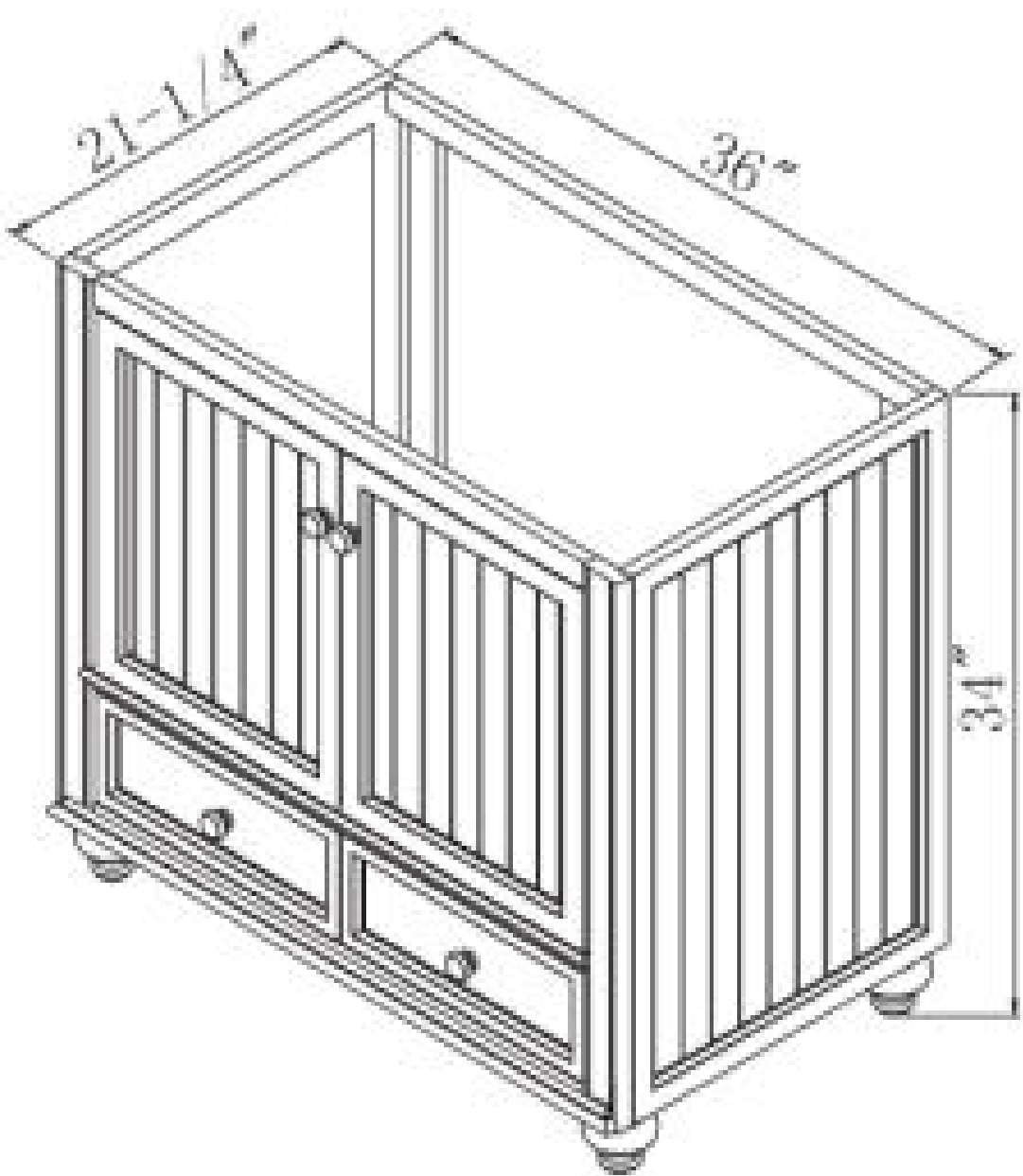
## BUILT-TO-LAST FEATURES:

Ready to assemble vanities, lightly distressed glazed finish, beaded wainscot style doors and side panels, full face frame construction, inset doors and drawers, dual side mount drawer slides, turned feet with adjustable levelers.

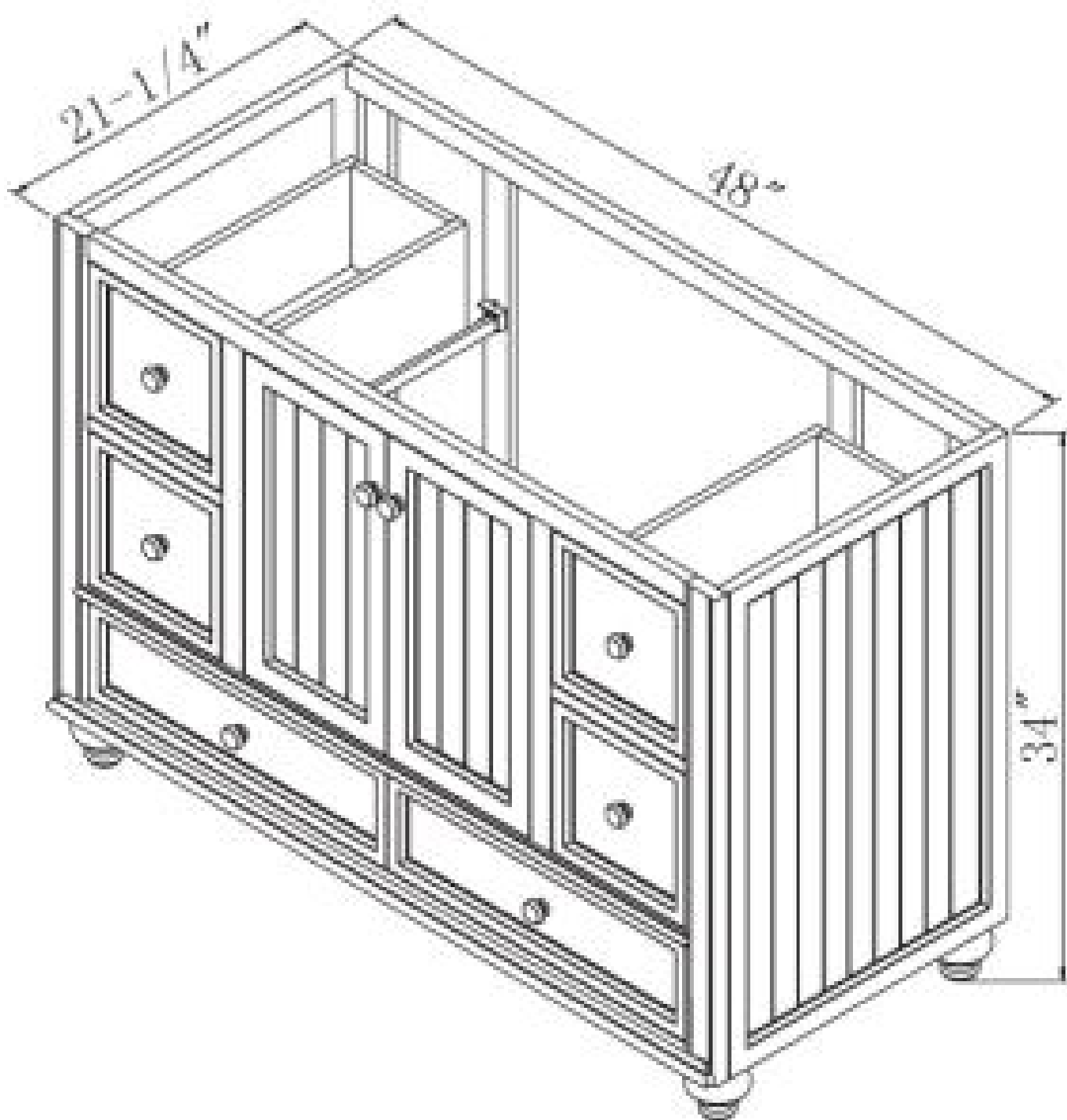
### VANITY BASES



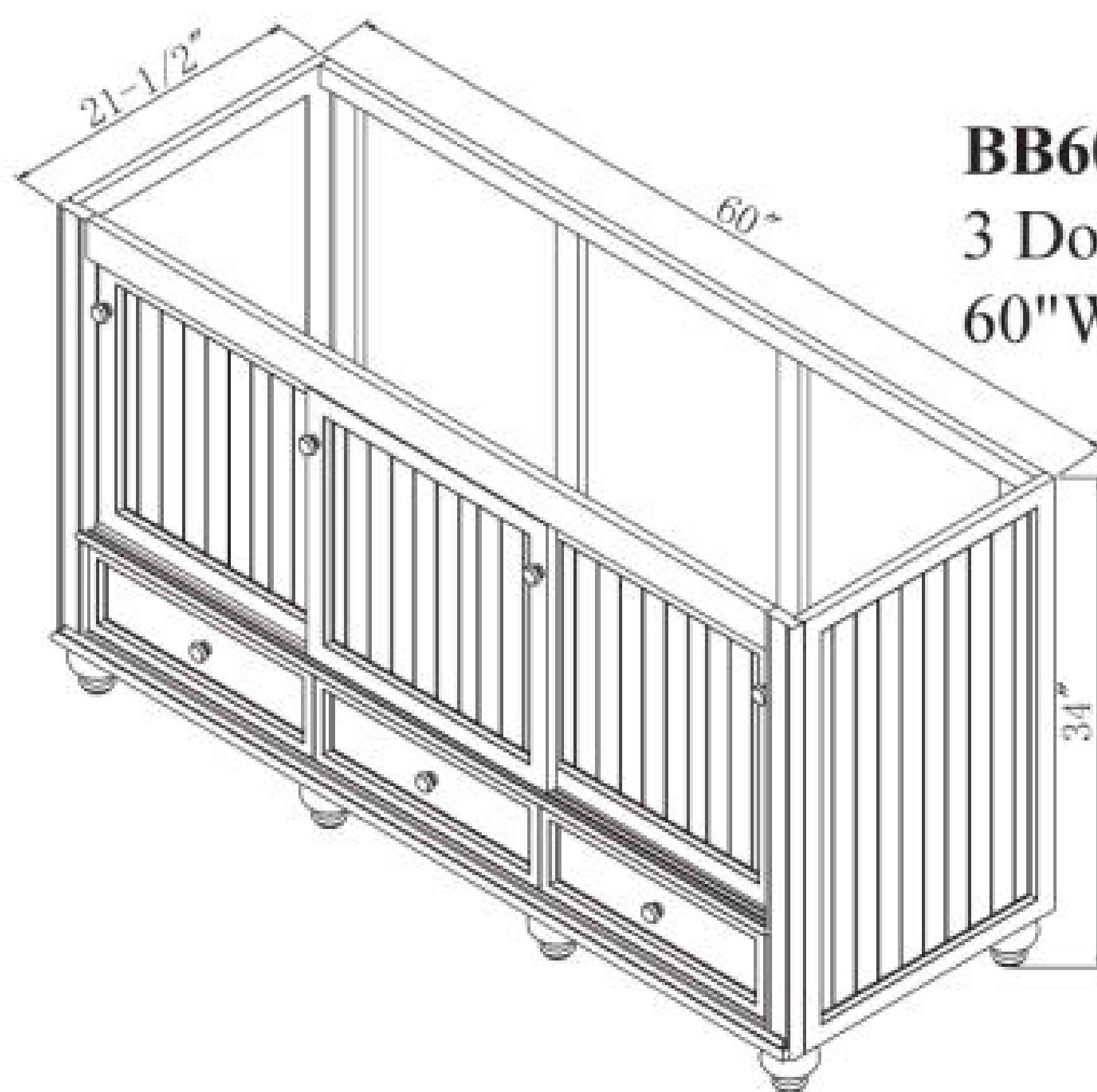
**BB3021D**  
2 Doors, 1 Bottom Drawer  
30"W x 21 1/4"D x 34"H



**BB3621D**  
2 Doors, 2 Bottom Drawers  
36"W x 21 1/4"D x 34"H

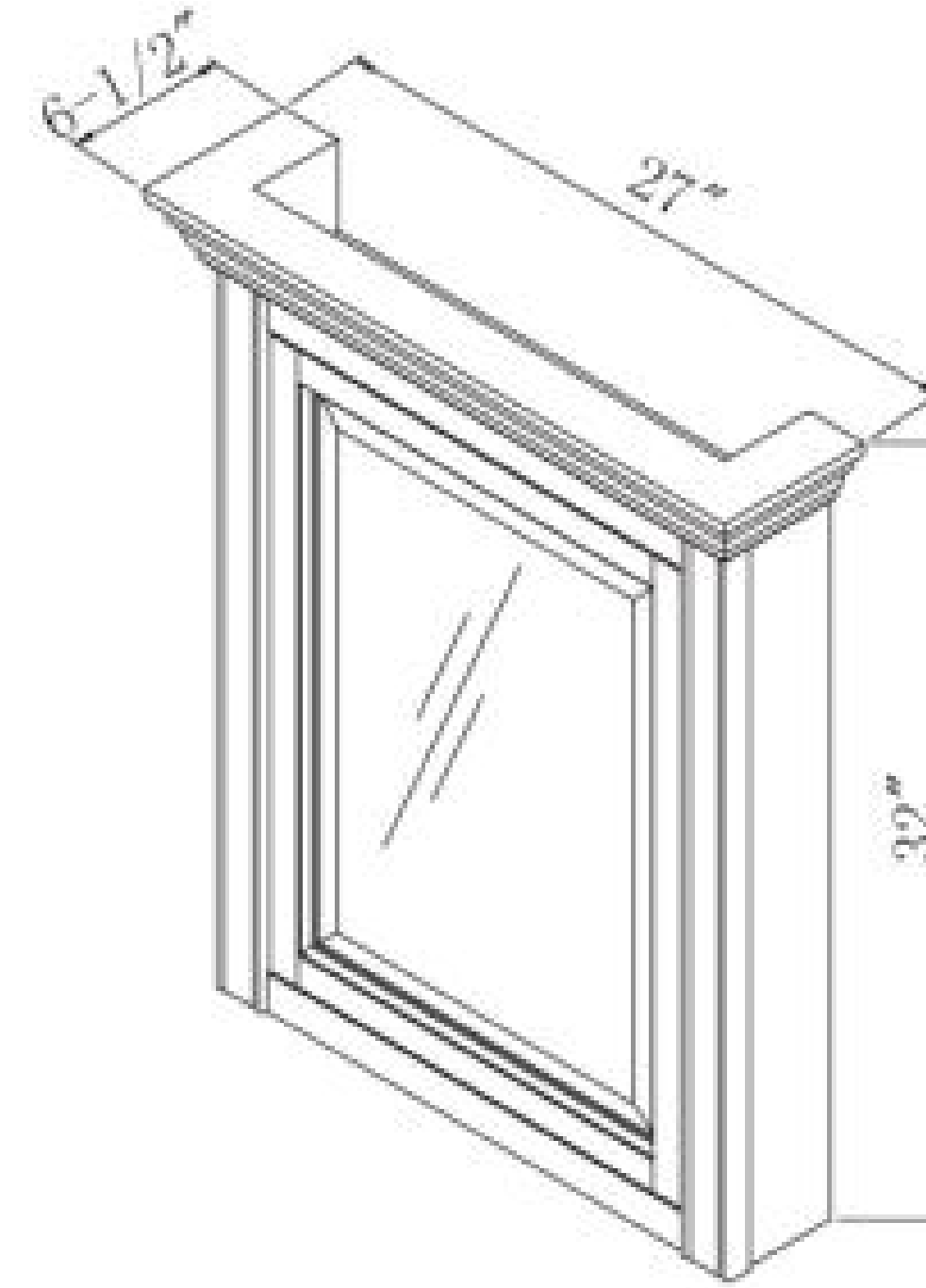


**BB4821D**  
2 Doors, 4 Small Drawers,  
2 Bottom Drawers  
48"W x 21 1/4"D x 34"H



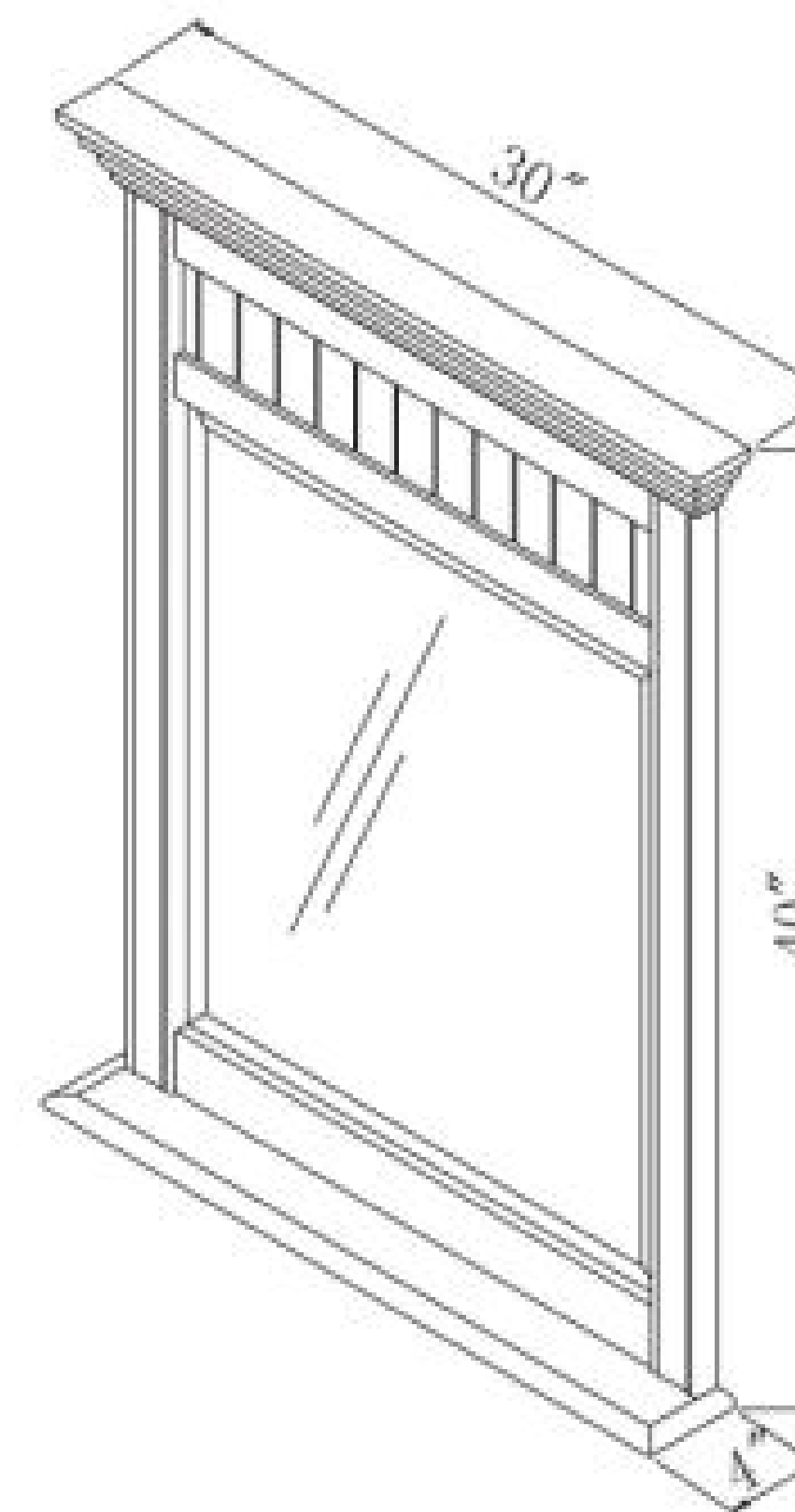
**BB6021D**  
3 Doors, 3 Bottom Drawers  
60"W x 21 1/2"D x 34"H

### MEDICINE CABINET

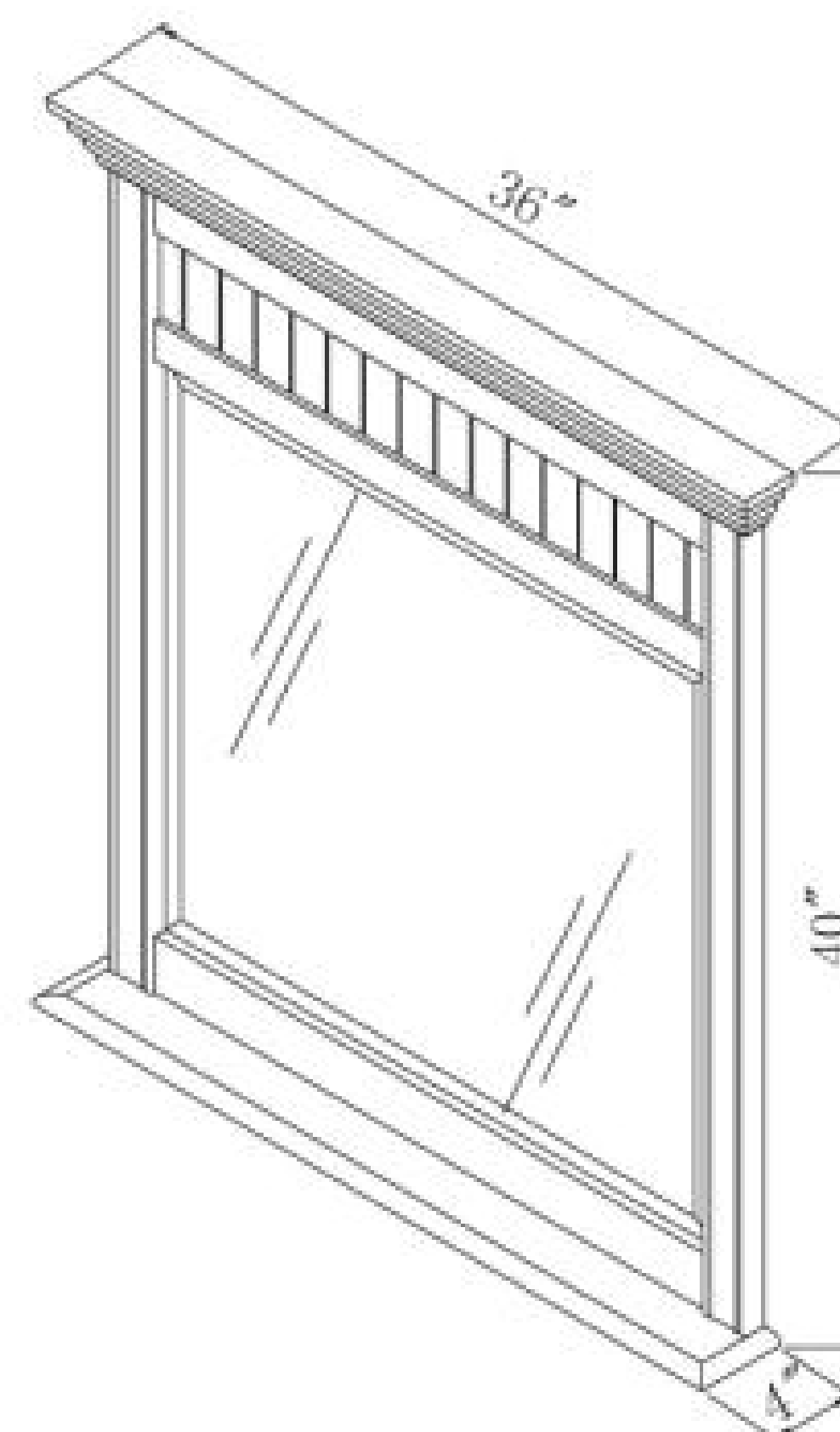


**BB2732M**  
Single Medicine Cabinet  
27"W x 32"H x 6 1/2"D

### MIRRORS



**BB3040MR**  
Mirror  
30"W x 40"H x 4"D



**BB3640MR**  
Mirror  
36"W x 40"H x 4"D

## SUNNY WOOD PRODUCTS COMPANY, INC.

14108 Artesia Blvd. Cerritos, CA 90703

Order Desk/Customer Service: (800) 888-6533

General Business: (562) 926-6533

FAX: (562) 926-0561

